

## ADVANEX PERFECTION

Satisfaction plus network for a better world

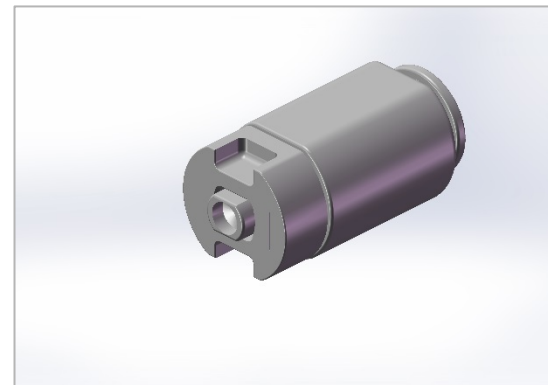
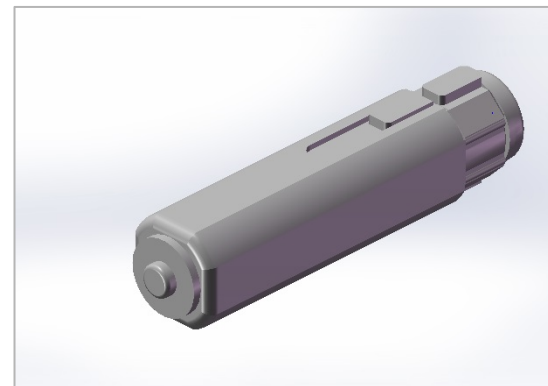
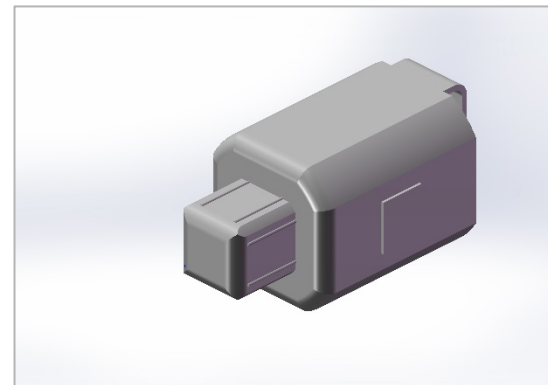
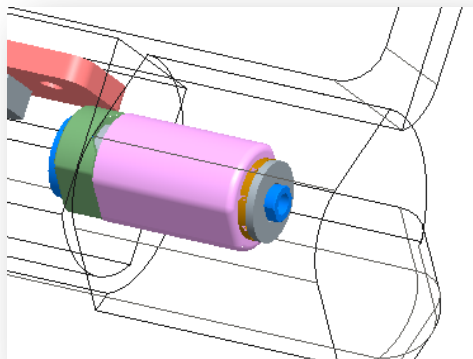
[CONTACT US](#)

# Hold Type Hinges

Originally developed and supplied to the mobile phone “flip” phone market the Advanex range of Hold Type hinges are still popular for many customers as a low cost solution for opening & shutting of mobile terminals

The hold type range comes with 6 torque settings and ready to fit into almost any application and suitable for any product with a cover weight between 10g to 38g.

Typical applications are for cosmetic devices, hand held devices and headsets.



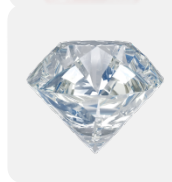
**Hold Type (Flip Hinge) range provides savings by..**



**Light-weight and compact**  
Maximised space and weight savings.



**Standard Range**  
Saving Time and Money on development costs



**Highly Durable Hinges**  
Virtually no Wear & Tear

Join our global partnerships

[CONTACT](#)